

# B AC Motors

## S.C. Brake Motor 40W (□90mm)

# 40W

Speed Control  
Brake Motor  
40W(□90mm)

### Motor Specification

Model 9SBDG*~40□: Gear Type Shaft 9SBDD*~40: D-Cut Type Shaft 9SBDK*~40: Key Type Shaft	Output W	Voltage V	Frequency Hz	Poles	Duty	Speed Range r/min	Starting Torque		Permissible Torque				Capacitor μF / VAC
									1200r/min		90r/min		
									kgfcm	N.m	kgfcm	N.m	
9SBDGA~40□	40	1φ110	60	4	30min.	90~1700	2.00	0.200	2.90	0.290	1.20	0.120	16.0 / 250
9SBDGD~40□	40	1φ220	60	4	30min.	90~1700	2.00	0.200	2.90	0.290	1.20	0.120	4.0 / 400
9SBDGE~40□	40	1φ220	50	4	30min.	90~1400	1.70	0.170	2.50	0.250	0.70	0.070	3.0 / 450
		2.10					0.210	3.00	0.300	0.70	0.070		

1) Enter the phase & voltage code in the place \* and enter the model type of attaching Gearbox in the box (□) within the motor model name.

2) All models contain a built-in thermal protector.

3) Gear Type Shaft are for attaching Gearbox and D-Cut & Key Type Shaft are for using motor only.

### Max. Permissible Torque at Output Shaft of Gearbox

Motor Model	Gearbox Model	r/min	V	Hz	Gear Ratio	2	3	3.6	5	6	7.5	9	10	12.5	15	18	25	30	36	40	50	60	75	90	100	120	150	180	200				
9SBDG □~40G	9GBK □BMH	1200	110	60	kgfcm	4.8	7.2	8.7	12.0	14.4	18.1	21.7	24.1	30.1	36.1	39.2	54.4	65.3	71.0	78.9	98.6	100.0	100.0	100.0	100.0	100.0	100.0	100.0	100.0	100.0			
					N.m	0.47	0.71	0.85	1.18	1.42	1.77	2.12	2.36	2.95	3.54	3.84	5.33	6.39	6.96	7.73	9.66	9.80	9.80	9.80	9.80	9.80	9.80	9.80	9.80	9.80	9.80	9.80	9.80
					kgfcm	4.8	7.2	8.7	12.0	14.4	18.1	21.7	24.1	30.1	36.1	39.2	54.4	65.3	71.0	78.9	98.6	100.0	100.0	100.0	100.0	100.0	100.0	100.0	100.0	100.0	100.0	100.0	100.0
		N.m	0.47	0.71	0.85	1.18	1.42	1.77	2.12	2.36	2.95	3.54	3.84	5.33	6.39	6.96	7.73	9.66	9.80	9.80	9.80	9.80	9.80	9.80	9.80	9.80	9.80	9.80	9.80	9.80	9.80		
		kgfcm	5.0	7.5	9.0	12.5	14.9	18.7	22.4	24.9	31.1	37.4	40.5	56.3	67.5	73.4	81.6	100.0	100.0	100.0	100.0	100.0	100.0	100.0	100.0	100.0	100.0	100.0	100.0	100.0	100.0		
		N.m	0.49	0.73	0.88	1.22	1.46	1.83	2.20	2.44	3.05	3.66	3.97	5.51	6.62	7.20	8.00	9.80	9.80	9.80	9.80	9.80	9.80	9.80	9.80	9.80	9.80	9.80	9.80	9.80	9.80		
	90	110	60	kgfcm	2.0	3.0	3.6	5.0	6.0	7.5	9.0	10.0	12.5	14.9	16.2	22.5	27.0	29.4	32.6	40.8	49.0	61.2	73.4	81.6	97.9	100.0	100.0	100.0	100.0	100.0	100.0		
				N.m	0.20	0.29	0.35	0.49	0.59	0.73	0.88	0.98	1.22	1.46	1.59	2.21	2.65	2.88	3.20	4.00	4.80	6.00	7.20	8.00	9.60	9.80	9.80	9.80	9.80	9.80	9.80		
				kgfcm	2.0	3.0	3.6	5.0	6.0	7.5	9.0	10.0	12.5	14.9	16.2	22.5	27.0	29.4	32.6	40.8	49.0	61.2	73.4	81.6	97.9	100.0	100.0	100.0	100.0	100.0	100.0	100.0	
		N.m	0.20	0.29	0.35	0.49	0.59	0.73	0.88	0.98	1.22	1.46	1.59	2.21	2.65	2.88	3.20	4.00	4.80	6.00	7.20	8.00	9.60	9.80	9.80	9.80	9.80	9.80	9.80	9.80			
		kgfcm	1.2	1.7	2.1	2.9	3.5	4.4	5.2	5.8	7.3	8.7	9.5	13.1	15.8	17.1	19.0	23.8	28.6	35.7	42.8	47.6	57.1	71.4	85.7	85.7	85.7	85.7	85.7	85.7			
		N.m	0.11	0.17	0.20	0.28	0.34	0.43	0.51	0.57	0.71	0.85	0.93	1.29	1.54	1.68	1.87	2.33	2.80	3.50	4.20	4.66	5.60	7.00	8.40	8.40	8.40	8.40	8.40	8.40			

Motor Model	Gearbox Model	r/min	V	Hz	Gear Ratio	10	12	15	18	25	30	36	50	60
9SBDG□ ~40W	9WD□BL/ □BR/□BRL	1200	110	60	kgfcm	23.8	27.8	33.5	38.6	50.8	57.4	66.8	87.0	95.7
					N.m	2.33	2.73	3.28	3.79	4.97	5.63	6.55	8.53	9.38
					kgfcm	24.1	28.9	36.1	43.3	60.2	72.2	86.7	120.4	122.4
			N.m	2.36	2.83	3.54	4.25	5.90	7.08	8.49	11.79	12.00		
			kgfcm	24.6	28.8	34.7	40.0	52.5	59.4	69.1	90.0	99.0		
			N.m	2.41	2.82	3.40	3.92	5.15	5.82	6.77	8.82	9.70		
		90	110	60	kgfcm	9.8	11.5	13.9	16.0	21.0	23.8	27.6	36.0	39.6
					N.m	0.96	1.13	1.36	1.57	2.06	2.33	2.71	3.53	3.88
					kgfcm	9.8	11.5	13.9	16.0	21.0	23.8	27.6	36.0	39.6
			N.m	0.96	1.13	1.36	1.57	2.06	2.33	2.71	3.53	3.88		
			kgfcm	5.7	6.7	8.1	9.3	12.3	13.9	16.1	21.0	23.1		
			N.m	0.56	0.66	0.79	0.91	1.20	1.36	1.58	2.06	2.26		

1) Enter the phase & voltage code in the box (□) within the motor model name.

2) Enter the gear ratio in the box (□) within the Gearbox model name.

3) A colored background indicates gear shaft rotation in the same direction as the motor shaft; a white background indicates rotation in the opposite direction.

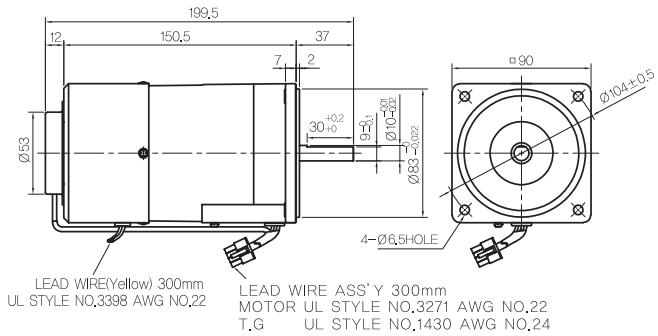
4) The rotating speed is calculated by dividing the motor's synchronous speed (50Hz: 1,500r/min, 60Hz: 1,800r/min) by the gear ratio.

The actual speed is 2~20% less than the displayed value, depending on the size of the load.

## Dimensions

### MOTOR ONLY

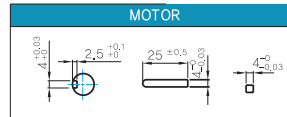
- MOTOR MODEL: 9SBDD□-40 (NO FAN)



### MOTOR OUTPUT SHAFT

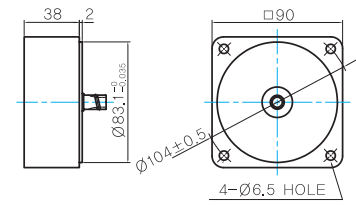
MODEL	SPEC
D-CUT TYPE	
9SBDD□-40	
KEY TYPE	
9SBDD□-40	

### KEY SPEC



### INTER-DECIMAL GEARBOX

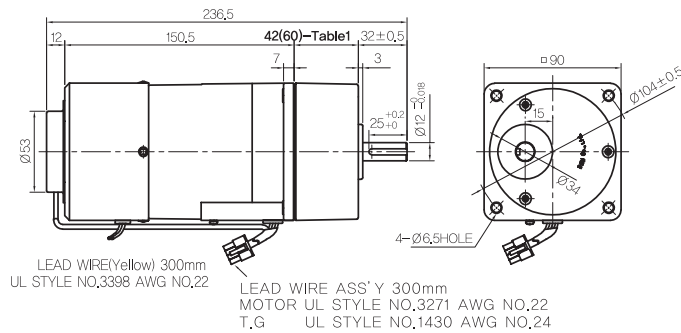
- MODEL: 9XD10□□



### GEARED MOTOR

#### G TYPE GEARBOX

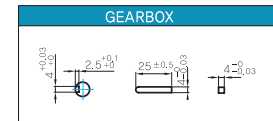
- MOTOR MODEL: 9SBDG□-40G (NO FAN)
- GEARBOX MODEL: 9GBK□BMH



### GEARBOX OUTPUT SHAFT

MODEL	SPEC
KEY TYPE	

### KEY SPEC

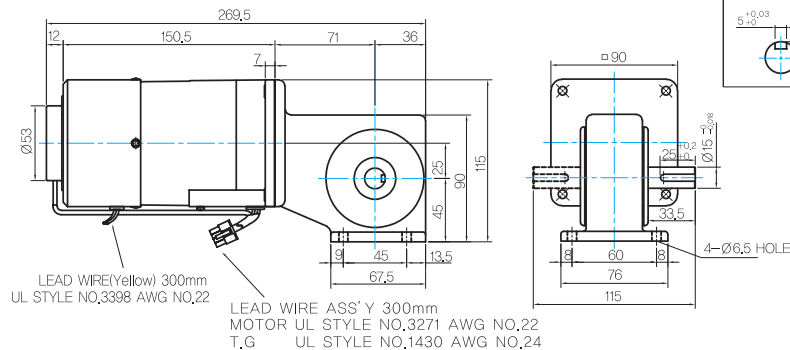


### 42(60)-Table1

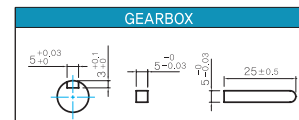
SIZE(mm)	GEAR RATIO
42	9GBK2BMH - 9GBK18BMH
60	9GBK25BMH - 9GBK200BMH

#### W TYPE GEARBOX

- MOTOR MODEL: 9SBDG□-40W (NO FAN)
- GEARBOX MODEL: 9WD□BL/BR/BRL



### KEY SPEC



### WEIGHT

PART	WEIGHT(Kg)	
MOTOR	3,09	
GEAR BOX	9GBK2BMH ~ 9GBK15BMH	0,67
	9GBK18BMH ~ 9GBK30BMH	0,96
	9GBK36BMH ~ 9GBK200BMH	1,07
	9WD□BL/BR/BRL	1,0
	9XD10□□	0,5

## Motor Images

