

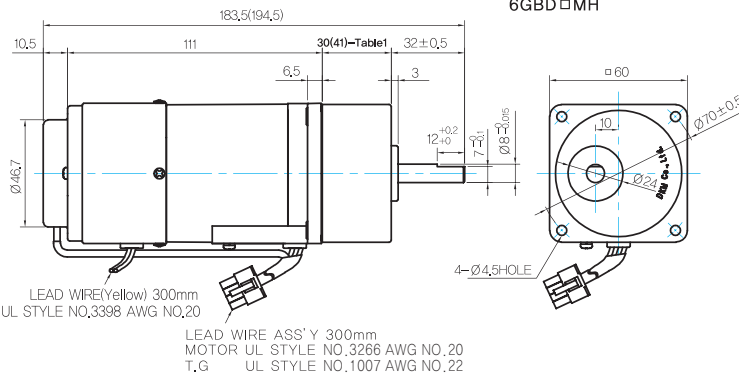
GEARED MOTOR

G TYPE GEARBOX

● MOTOR MODEL: 6SBDG□-6G (NO FAN)

● GEARBOX MODEL: 6GBD□MH

● GEARBOX OUTPUT SHAFT



MODEL	SPEC
D-CUT TYPE	

● 30(41)-Table1

SIZE(mm)	GEAR RATIO
30	6GBD3MH - 6GBD18MH
41	6GBD25MH - 6GBD360MH

● WEIGHT

PART	WEIGHT(Kg)
MOTOR	1,22

Motor Images

