

25W

Speed Control
Reversible Motor
25W(□80mm)

Motor Specification

Model 8SRDG*-25□: Gear Type Shaft 8SRDD*-25: D-Cut Type Shaft	Output W	Voltage V	Frequency Hz	Poles	Duty	Speed Range r/min	Starting Torque		Permissible Torque				Capacitor μF / VAC
							kgfcm	N.m	1200r/min		90r/min		
									kgfcm	N.m	kgfcm	N.m	
8SRDGA-25□	25	1∅110	60	4	30min.	90-1700	1.40	0.140	1.55	0.155	0.70	0.070	10.0 / 250
8SRDGD-25□	25	1∅220	60	4	30min.	90-1700	1.60	0.160	1.80	0.180	0.90	0.090	2.5 / 450
8SRDGE-25□	25	1∅220	50	4	30min.	90-1400	1.00	0.100	1.50	0.150	0.50	0.050	2.0 / 450
		1∅240					1.20	0.120	1.80	0.180	0.50	0.050	

1) Enter the phase & voltage code in the place * and enter the model type of attaching Gearbox in the box (□) within the motor model name.

2) All models contain a built-in thermal protector.

3) Gear Type Shaft are for attaching Gearbox and D-Cut Type Shaft are for using motor only.

Max. Permissible Torque at Output Shaft of Gearbox

Motor Model	Gearbox Model	r/min	V	Hz	Gear Ratio	3	3.6	5	6	7.5	9	12.5	15	18	25	30	36	40
8SRDG□ -25G	8GBK□ BMH	1200	110	60	kgfcm	3.9	4.6	6.4	7.7	9.6	11.6	16.1	19.3	23.2	29.1	34.9	37.9	42.2
					N.m	0.38	0.45	0.63	0.76	0.95	1.13	1.58	1.89	2.27	2.85	3.42	3.72	4.13
			220	60	kgfcm	5.8	6.9	9.6	11.5	14.4	17.3	24.0	28.8	34.6	39.2	47.1	46.4	51.6
		220/ 240	50	kgfcm	4.5	5.4	7.5	9.0	11.2	13.4	18.7	22.4	26.9	33.8	40.5	44.1	49.0	
				N.m	0.44	0.53	0.73	0.88	1.10	1.32	1.83	2.20	2.64	3.31	3.97	4.32	4.80	
				90	110	60	kgfcm	1.7	2.1	2.9	3.5	4.4	5.2	7.3	8.7	10.5	13.1	15.8
			220	60	kgfcm	2.2	2.7	3.7	4.5	5.6	6.7	9.3	11.2	13.4	16.9	20.3	22.0	24.5
			220/ 240	50	kgfcm	1.2	1.5	2.1	2.5	3.1	3.7	5.2	6.2	7.5	9.4	11.3	12.2	13.6
					N.m	0.12	0.15	0.20	0.24	0.31	0.37	0.51	0.61	0.73	0.92	1.10	1.20	1.33

Motor Model	Gearbox Model	r/min	V	Hz	Gear Ratio	50	60	75	90	100	120	150	180	200	250	300	360		
8SRDG□ -25G	8GBK□ BMH	1200	110	60	kgfcm	52.7	63.2	79.1	80.0	80.0	80.0	80.0	80.0	80.0	80.0	80.0	80.0		
					N.m	5.16	6.20	7.75	7.84	7.84	7.84	7.84	7.84	7.84	7.84	7.84	7.84		
			220	60	kgfcm	64.5	77.4	80.0	80.0	80.0	80.0	80.0	80.0	80.0	80.0	80.0	80.0	80.0	80.0
		220/ 240	50	kgfcm	61.2	73.4	80.0	80.0	80.0	80.0	80.0	80.0	80.0	80.0	80.0	80.0	80.0	80.0	
				N.m	6.00	7.20	7.84	7.84	7.84	7.84	7.84	7.84	7.84	7.84	7.84	7.84	7.84	7.84	
				90	110	60	kgfcm	23.8	28.6	35.7	42.8	47.6	57.1	71.4	80.0	80.0	80.0	80.0	
					220	60	kgfcm	30.6	36.7	45.9	55.1	61.2	73.4	80.0	80.0	80.0	80.0	80.0	
					220/ 240	50	kgfcm	17.0	20.4	25.5	30.6	34.0	40.8	51.0	61.2	61.0	76.3	80.0	80.0
							N.m	1.67	2.00	2.50	3.00	3.33	4.00	5.00	6.00	5.98	7.47	7.84	7.84

1) Enter the phase & voltage code in the box (□) within the motor model name.

2) Enter the gear ratio in the box (□) within the Gearbox model name.

3) A colored background indicates gear shaft rotation in the same direction as the motor shaft; a white background indicates rotation in the opposite direction.

4) The rotating speed is calculated by dividing the motor's synchronous speed (50Hz: 1,500r/min, 60Hz: 1,800r/min) by the gear ratio.

The actual speed is 2-20% less than the displayed value, depending on the size of the load.

B AC Motors

S.C. Reversible Motor 25W (□80mm)

Max. Permissible Torque at Output Shaft of Gearbox

Motor Model	Gearbox Model	r/min	V	Hz	Gear Ratio	10	12	15	18	25	30	36	50	60
8SRDG□ -25W	8WD□BL/ □BR/□BRL	1200	110	60	kgfcm N.m	12.7 1.25	14.9 1.46	17.9 1.75	20.6 2.02	27.1 2.66	30.7 3.01	35.7 3.50	46.5 4.56	51.2 5.01
			220	60	kgfcm N.m	14.9 1.46	17.9 1.76	22.4 2.20	26.9 2.64	37.4 3.66	44.8 4.39	53.8 5.27	74.7 7.32	81.6 8.00
			220/240	50	kgfcm N.m	14.8 1.45	17.3 1.69	20.8 2.04	24.0 2.35	31.5 3.09	35.6 3.49	41.5 4.06	54.0 5.29	59.4 5.82
		90	110	60	kgfcm N.m	5.7 0.56	6.7 0.66	8.1 0.79	9.3 0.91	12.3 1.20	13.9 1.36	16.1 1.58	21.0 2.06	23.1 2.26
			220	60	kgfcm N.m	7.4 0.72	8.6 0.85	10.4 1.02	12.0 1.17	15.8 1.54	17.8 1.75	20.7 2.03	27.0 2.65	29.7 2.91
			220/240	50	kgfcm N.m	4.1 0.40	4.8 0.47	5.8 0.57	6.7 0.65	8.8 0.86	9.9 0.97	11.5 1.13	15.0 1.47	16.5 1.62

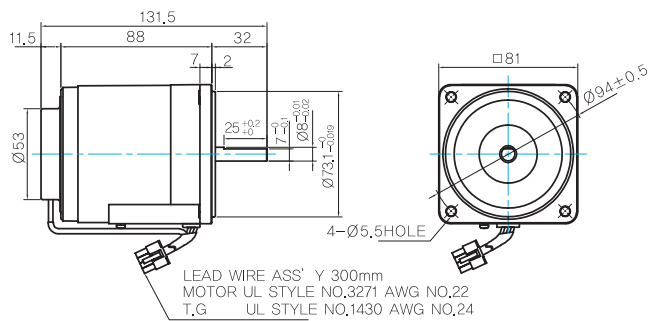
Motor Images



Dimensions

MOTOR ONLY

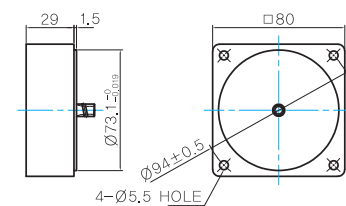
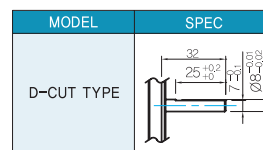
- MOTOR MODEL: 8SRDD□-25 (NO FAN)



INTER-DECIMAL GEARBOX

- MODEL: 8XD10□□

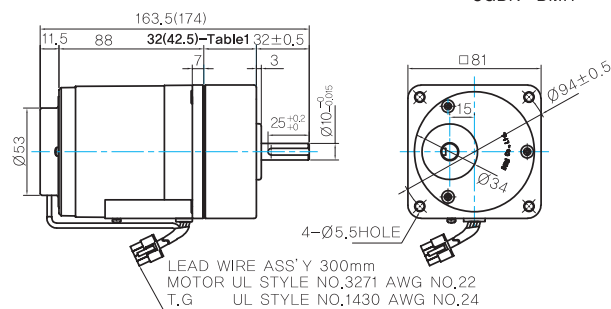
MOTOR OUTPUT SHAFT



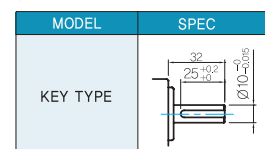
GEARED MOTOR

G TYPE GEARBOX

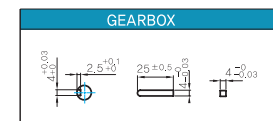
- MOTOR MODEL: 8SRDG□-25G (NO FAN)
- GEARBOX MODEL: 8GBK□BMH



GEARBOX OUTPUT SHAFT



KEY SPEC

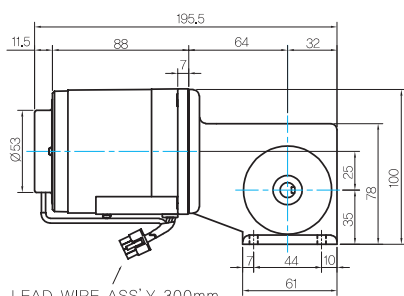


32(42.5)-Table1

SIZE(mm)	GEAR RATIO
32	8GBK3BMH - 8GBK18BMH
42.5	8GBK25BMH - 8GBK360BMH

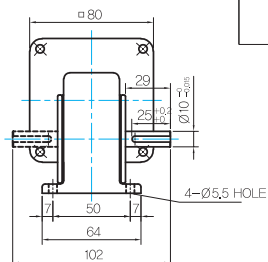
W TYPE GEARBOX

- MOTOR MODEL:
8SRDG□-25W (NO FAN)

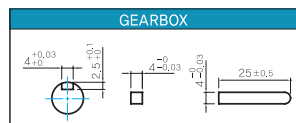


LEAD WIRE ASS'Y 300mm
MOTOR UL STYLE NO,3271 AWG NO,22
T,G UL STYLE NO,1430 AWG NO,24

- GEARBOX MODEL:
8WD□BL/BR/BRL



- KEY SPEC



WEIGHT

PART		WEIGHT(Kg)
MOTOR		1.7
GEAR BOX	8GBK3BMH ~ 8GBK18BMH	0.48
	8GBK25BMH ~ 8GBK30BMH	0.61
	8GBK36BMH ~ 8GBK180BMH	0.67
	8GBK200BMH ~ 8GBK360BMH	0.63
	8WD□BL/BR/BRL	0.67
	8XD10□□	0.44