

# B AC Motors

S.C. Induction Motor 40W (□90mm)

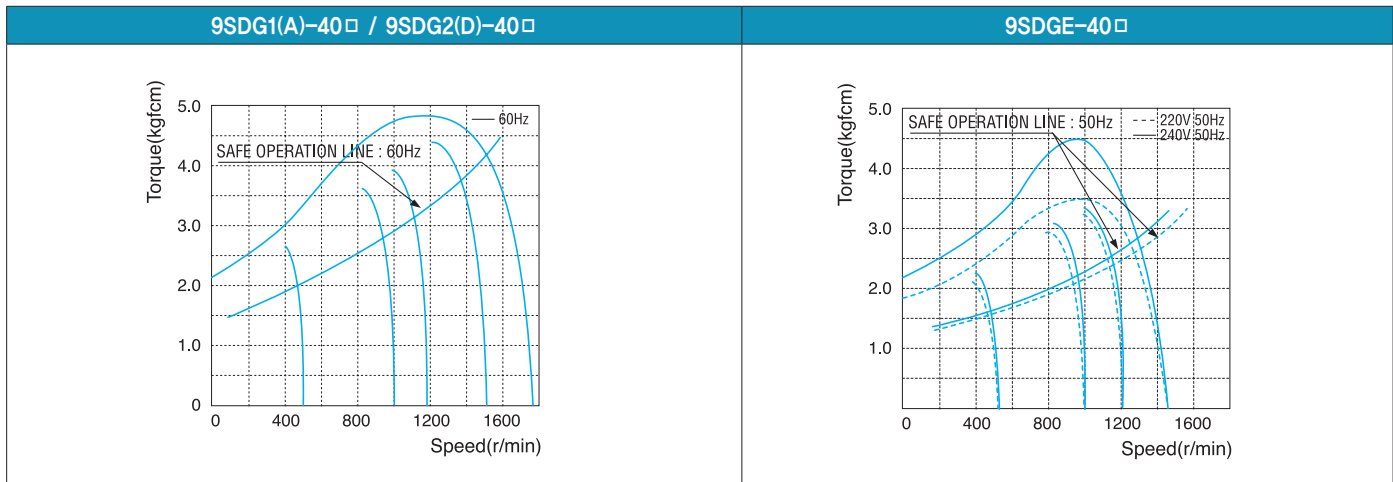
## 40W Speed Control Induction Motor 40W(□90mm)

### Motor 사양

Model 9SDG*-40□: Gear Type Shaft 9SDD*-40: D-Cut Type Shaft 9SDK*-40: Key Type Shaft	Output W	Voltage V	Frequency Hz	Poles	Duty	Speed Range r/min	Starting Torque		Permissible Torque				Capacitor μF / VAC
							kgfcm	N.m	1200r/min		90r/min		
									kgfcm	N.m	kgfcm	N.m	
9SDG1(A)-40□	40	1∅ 110	60	4	Cont.	90-1700	1.80	0.180	2.70	0.270	0.80	0.080	10.0 / 250
9SDG2(D)-40□	40	1∅ 220	60	4	Cont.	90-1700	1.80	0.180	2.70	0.270	0.80	0.080	2.5 / 450
9SDGE-40□	40	1∅ 220	50	4	Cont.	90-1400	1.50	0.150	2.50	0.250	0.70	0.070	2.5 / 450
		1.80					0.180	3.00	0.300	0.72	0.072		

- 1) 모터 모델명 \* 자리에는 전압코드가, □ 안에는 부착되는 감속기의 모델 타입명이 들어갑니다.
- 2) 전압코드 A, D, E는 TP(Thermal Protector) 부착 사양입니다.
- 3) Gear Type Shaft는 감속기 부착용이며 D-Cut 및 Key Type Shaft는 모터 단독 사용시의 출력축입니다.

### 회전속도-토크 특성



### 감속기 부착 시 최대허용토크

Motor Model	Gearbox Model	회전 속도 r/min	전압 V	주파수 Hz	감속비	2	3	3.6	5	6	7.5	9	10	12.5	15	18	20	25	30	36	40	50	60	75	90	100	120	150	180	200		
9SDG*-40G	9GBK □ BMH	1200	110	60	kgfcm	4.4	6.6	7.9	10.9	13.1	16.4	19.7	21.9	27.3	32.8	39.4	39.4	49.3	59.1	71.0	78.8	89.1	100.0	100.0	100.0	100.0	100.0	100.0	100.0	100.0	100.0	
			220	60	N.m	0.43	0.64	0.77	1.07	1.29	1.61	1.93	2.14	2.68	3.21	3.86	3.86	4.83	5.79	6.95	7.73	8.73	9.80	9.80	9.80	9.80	9.80	9.80	9.80	9.80	9.80	9.80
			220/240	50	kgfcm	4.1	6.1	7.3	10.1	12.2	15.2	18.2	20.3	25.3	30.4	36.5	36.5	45.6	54.8	65.7	73.0	82.5	99.0	100.0	100.0	100.0	100.0	100.0	100.0	100.0	100.0	100.0
		110	60	kgfcm	1.3	1.9	2.3	3.2	3.9	4.9	5.8	6.5	8.1	9.7	11.7	11.7	14.6	17.5	21.0	23.4	26.4	31.7	39.6	47.5	52.8	63.4	79.2	95.0	100.0	100.0	100.0	100.0
		220	60	N.m	0.13	0.19	0.23	0.32	0.38	0.48	0.57	0.64	0.79	0.95	1.14	1.14	1.43	1.72	2.06	2.29	2.59	3.10	3.88	4.66	5.17	6.21	7.76	9.31	9.80	9.80	9.80	9.80
		220/240	50	kgfcm	1.1	1.7	2.0	2.8	3.4	4.3	5.1	5.7	7.1	8.5	10.2	10.2	12.8	15.3	18.4	20.4	23.1	27.7	34.7	41.6	46.2	55.4	69.3	83.2	92.4	92.4	92.4	92.4
						N.m	0.11	0.17	0.20	0.28	0.33	0.42	0.50	0.56	0.69	0.83	1.00	1.00	1.25	1.50	1.80	2.00	2.26	2.72	3.40	4.07	4.53	5.43	6.79	8.15	9.06	

## 감속기 부착 시 최대허용토크

Motor Model	Gearbox Model	회전속도 r/min	전압 V	주파수 Hz	감속비	2	3	3.6	5	6	7.5	9	10	12.5	15	18	20	25	30
9SDG* -40P	9PBK□BH 9PFK□BH	1200	110	60	kgfcm	4.4	6.6	7.9	10.9	13.1	16.4	19.7	21.9	24.6	29.6	35.5	39.4	44.6	53.5
					N.m	0.43	0.64	0.77	1.07	1.29	1.61	1.93	2.14	2.41	2.90	3.48	3.86	4.37	5.24
			kgfcm	4.4	6.6	7.9	10.9	13.1	16.4	19.7	21.9	24.6	29.6	35.5	39.4	44.6	53.5		
		N.m	0.43	0.64	0.77	1.07	1.29	1.61	1.93	2.14	2.41	2.90	3.48	3.86	4.37	5.24			
		kgfcm	4.1	6.1	7.3	10.1	12.2	15.2	18.2	20.3	22.8	27.4	32.9	36.5	41.3	49.5			
		N.m	0.40	0.60	0.71	0.99	1.19	1.49	1.79	1.98	2.24	2.68	3.22	3.58	4.04	4.85			
90	90	110	60	kgfcm	1.3	1.9	2.3	3.2	3.9	4.9	5.8	6.5	7.3	8.8	10.5	11.7	13.2	15.8	
				N.m	0.13	0.19	0.23	0.32	0.38	0.48	0.57	0.64	0.72	0.86	1.03	1.14	1.29	1.55	
		kgfcm	1.3	1.9	2.3	3.2	3.9	4.9	5.8	6.5	7.3	8.8	10.5	11.7	13.2	15.8			
		N.m	0.13	0.19	0.23	0.32	0.38	0.48	0.57	0.64	0.72	0.86	1.03	1.14	1.29	1.55			
		kgfcm	1.1	1.7	2.0	2.8	3.4	4.3	5.1	5.7	6.4	7.7	9.2	10.2	11.6	13.9			
		N.m	0.11	0.17	0.20	0.28	0.33	0.42	0.50	0.56	0.63	0.75	0.90	1.00	1.13	1.36			

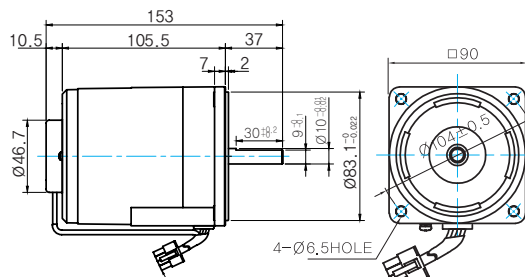
Motor Model	Gearbox Model	회전속도 r/min	전압 V	주파수 Hz	감속비	36	40	50	60	75	90	100	120	150	180	200
9SDG* -40P	9PBK□BH 9PFK□BH	1200	110	60	kgfcm	64.2	71.3	89.1	106.9	119.5	143.4	159.3	191.2	200.0	200.0	200.0
					N.m	6.29	6.99	8.73	10.48	11.71	14.05	15.61	18.73	19.60	19.60	19.60
			kgfcm	64.2	71.3	89.1	106.9	119.5	143.4	159.3	191.2	200.0	200.0	200.0		
		N.m	6.29	6.99	8.73	10.48	11.71	14.05	15.61	18.73	19.60	19.60	19.60			
		kgfcm	59.4	66.0	82.5	99.0	110.6	132.8	147.5	177.0	200.0	200.0	200.0			
		N.m	5.82	6.47	8.09	9.70	10.84	13.01	14.46	17.35	19.60	19.60	19.60			
90	90	110	60	kgfcm	19.0	21.1	26.4	31.7	35.4	42.5	47.2	56.6	70.8	85.0	94.4	
				N.m	1.86	2.07	2.59	3.10	3.47	4.16	4.63	5.55	6.94	8.33	9.25	
		kgfcm	19.0	21.1	26.4	31.7	35.4	42.5	47.2	56.6	70.8	85.0	94.4			
		N.m	1.86	2.07	2.59	3.10	3.47	4.16	4.63	5.55	6.94	8.33	9.25			
		kgfcm	16.6	18.5	23.1	27.7	31.0	37.2	41.3	49.6	62.0	74.3	82.6			
		N.m	1.63	1.81	2.26	2.72	3.04	3.64	4.05	4.86	6.07	7.29	8.09			

Motor Model	Gearbox Model	회전속도 r/min	전압 V	주파수 Hz	감속비	10	12	15	18	25	30	36	50	60
9SDG* -40W	9WD□BL/□BR/□BRL	1200	110	60	kgfcm	22.1	25.9	31.2	36.0	47.3	53.5	62.2	81.0	89.1
					N.m	2.17	2.54	3.06	3.52	4.63	5.24	6.10	7.94	8.73
			kgfcm	22.4	26.9	33.6	40.3	56.0	67.2	80.7	112.1	122.4		
		N.m	2.20	2.64	3.29	3.95	5.49	6.59	7.91	10.98	12.00			
		kgfcm	24.6	28.8	34.7	40.0	52.5	59.4	69.1	90.0	99.0			
		N.m	2.41	2.82	3.40	3.92	5.15	5.82	6.77	8.82	9.70			
90	90	110	60	kgfcm	6.6	7.7	9.2	10.7	14.0	15.8	18.4	24.0	26.4	
				N.m	0.64	0.75	0.91	1.04	1.37	1.55	1.81	2.35	2.59	
		kgfcm	6.6	7.7	9.2	10.7	14.0	15.8	18.4	24.0	26.4			
N.m	0.64	0.75	0.91	1.04	1.37	1.55	1.81	2.35	2.59					
kgfcm	5.9	6.9	8.3	9.6	12.6	14.3	16.6	21.6	23.8					
N.m	0.58	0.68	0.81	0.94	1.23	1.40	1.63	2.12	2.33					

## Dimensions

### MOTOR ONLY

● MOTOR MODEL: 9SDD□-40 (NO FAN)

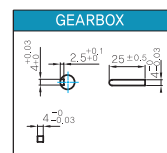


LEAD WIRE ASS'Y 300mm  
MOTOR UL STYLE NO.3271 AWG No.20  
T,G UL STYLE NO.1007 AWG No.22

### MOTOR OUTPUT SHAFT

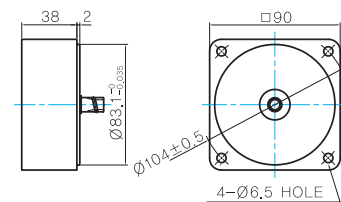
MODEL	SPEC
D-CUT TYPE	37 30 <sup>+0.02</sup> Ø10 <sup>+0.015</sup>
KEY TYPE	37 25 <sup>+0.02</sup> Ø10 <sup>+0.015</sup>

### KEY SPEC



### 중간감속기

● MODEL: 9XD10□□



# B AC Motors

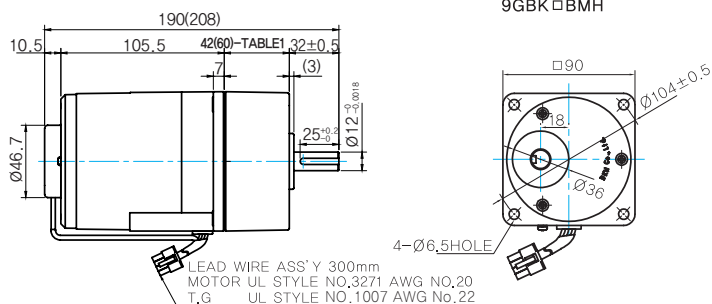
## S.C. Induction Motor 40W (□90mm)

### GEARED MOTOR

#### G TYPE GEARBOX

MOTOR MODEL: 9SDG□-40G (NO FAN)

GEARBOX MODEL: 9GBK□BMH



#### GEARBOX OUTPUT SHAFT

MODEL	SPEC
KEY TYPE	

#### KEY SPEC

GEARBOX

#### 42(60)-Table1

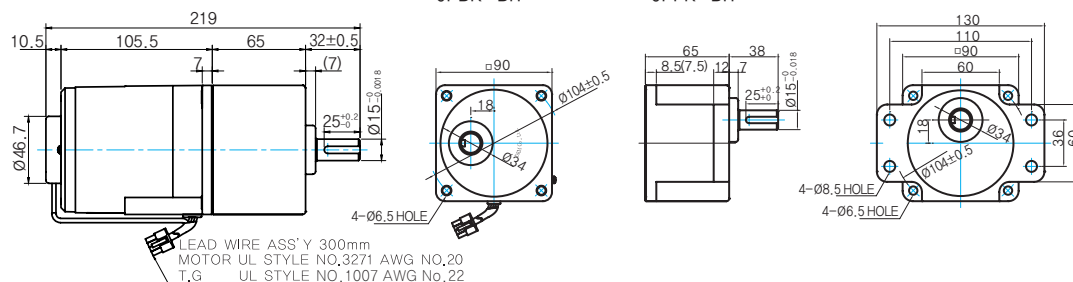
SIZE(mm)	GEAR RATIO
42	9GBK2BMH - 9GBK18BMH
60	9GBK20BMH - 9GBK200BMH

#### P TYPE GEARBOX

MOTOR MODEL: 9SDG□-40P (NO FAN)

GEARBOX MODEL: 9PBK□BH

GEARBOX MODEL: 9PFK□BH



#### GEARBOX OUTPUT SHAFT

MODEL	SPEC
D-CUT TYPE	
9PBK□BH 9PFK□BH	

#### KEY SPEC

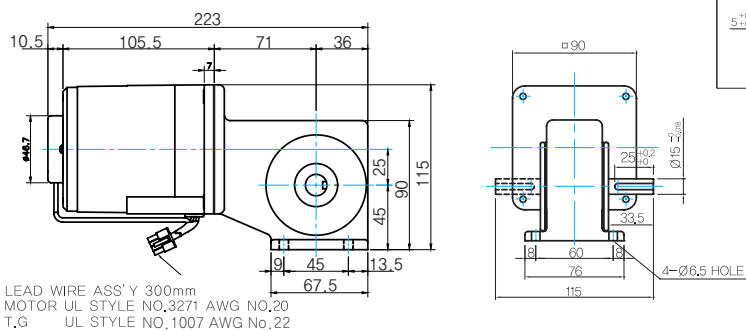
GEARBOX

#### W TYPE GEARBOX

MOTOR MODEL: 9SDG□-40W (NO FAN)

GEARBOX MODEL: 9WD□BL/BR/BRL

#### KEY SPEC



GEARBOX

#### WEIGHT

PART	WEIGHT(Kg)	
MOTOR	2.55	
GEAR BOX	9GBK2BMH ~ 9GBK18BMH	0.78
	9GBK20BMH ~ 9GBK40BMH	1.1
	9GBK50BMH ~ 9GBK200BMH	1.2
	9PB(F)K2BH ~ 9PB(F)K10BH	1.28
	9PB(F)K12.5BH ~ 9PB(F)K20BH	1.3
	9PB(F)K25BH ~ 9PB(F)K60BH	1.45
	9PB(F)K75BH ~ 9PB(F)K200BH	1.47
	9WD□BL/BR/BRL	1.0
	9XD10□□	0.6

### Motor Images

