

B AC Motors

Reversible Motor 15W(□80mm)

15W

Reversible Motor
15W(□80mm)

Motor Specification

Model		Output	Voltage	Frequency	Poles	Duty	Starting Torque		Rated Load				Capacitor
Lead Wire Type	Terminal Box Type						kgfcm	N.m	Speed	Current	Torque		
8RDG*-15□(-T): Gear Type Shaft 8RDD*-15(-T): D-Cut Type Shaft		W	V	Hz					r/min	A	kgfcm	N.m	
8RDGA-15□	8RDGA-15□-T	15	1∅110	60	4	30min.	1.55	0.155	1600	0.44	1.20	0.120	6.0 / 250
8RDGD-15□	8RDGD-15□-T	15	1∅220	60	4	30min.	1.50	0.150	1600	0.25	1.00	0.100	1.5 / 450
8RDGE-15□	8RDGE-15□-T	15	1∅220	50	4	30min.	1.25	0.125	1200	0.16	1.30	0.130	1.5 / 450
			1∅240				1.45	0.145					

1) Enter the phase & voltage code in the place * and enter the model type of attaching Gearbox in the box (□) within the motor model name.

2) All models contain a built-in thermal protector.

3) Gear Type Shaft is for attaching Gearbox and D-Cut Type Shaft is for using motor only.

Max. Permissible Torque at Output Shaft of Gearbox

60Hz

Motor Model	Gearbox Model	Gear Ratio	3	3.6	5	6	7.5	9	12.5	15	18	25	30	36	40	50	60	75	90	100	120	150	180	
			r/min	600	500	360	300	240	200	144	120	100	72	60	50	45	36	30	24	20	18	15	12	10
8RDG□-15G	8GBK□BMH	kgfcm	3.0	3.6	5.0	6.0	7.5	9.0	12.5	14.9	17.9	22.5	27.0	29.4	32.6	40.8	49.0	61.2	73.4	80.0	80.0	80.0	80.0	80.0
		N.m	0.29	0.35	0.49	0.59	0.73	0.88	1.22	1.46	1.76	2.21	2.65	2.88	3.20	4.00	4.80	6.00	7.20	7.84	7.84	7.84	7.84	7.84

Motor Model	Gearbox Model	Gear Ratio	200	250	300	360
			r/min	9	7	6
8RDG□-15G	8GBK□BMH	kgfcm	80.0	80.0	80.0	80.0
		N.m	7.84	7.84	7.84	7.84

Motor Model	Gearbox Model	Gear Ratio	10	12	15	18	25	30	36	50	60
			r/min	180	150	120	100	72	60	50	36
8RDG□-15W	8WD□BL/□BR/□BRL	kgfcm	9.8	11.5	13.9	16.0	21.0	23.8	27.6	36.0	39.6
		N.m	0.96	1.13	1.36	1.57	2.06	2.33	2.71	3.53	3.88

50Hz

Motor Model	Gearbox Model	Gear Ratio	3	3.6	5	6	7.5	9	12.5	15	18	25	30	36	40	50	60	75	90	100	120	150	180
			r/min	500	417	300	250	200	167	120	100	83	60	50	42	38	30	25	20	17	15	13	10
8RDG□-15G	8GBK□BMH	kgfcm	3.5	4.2	5.8	7.0	8.7	10.5	14.5	17.4	20.9	26.3	31.5	34.3	38.1	47.6	57.1	71.4	80.0	80.0	80.0	80.0	80.0
		N.m	0.34	0.41	0.57	0.68	0.85	1.02	1.42	1.71	2.05	2.57	3.09	3.36	3.73	4.66	5.60	7.00	7.84	7.84	7.84	7.84	7.84

Motor Model	Gearbox Model	Gear Ratio	200	250	300	360
			r/min	7	6	5
8RDG□-15G	8GBK□BMH	kgfcm	80.0	80.0	80.0	80.0
		N.m	7.84	7.84	7.84	7.84

Motor Model	Gearbox Model	Gear Ratio	10	12	15	18	25	30	36	50	60
			r/min	150	125	100	83	60	50	42	30
8RDG□-15W	8WD□BL/□BR/□BRL	kgfcm	11.5	13.4	16.2	18.6	24.5	27.7	32.3	42.0	46.2
		N.m	1.13	1.32	1.58	1.83	2.40	2.72	3.16	4.12	4.53

1) Enter the phase & voltage code in the box (□) within the motor model name.

2) Enter the gear ratio in the box (□) within the Gearbox model name.

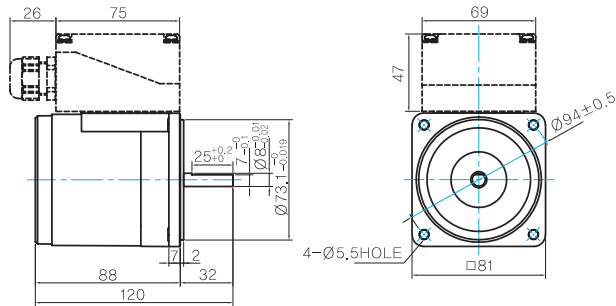
3) A colored background indicates gear shaft rotation in the same direction as the motor shaft; a white background indicates rotation in the opposite direction.

4) The rotating speed is calculated by dividing the motor's synchronous speed (50Hz: 1,500r/min, 60Hz: 1,800r/min) by the gear ratio. The actual speed is 2~20% less than the displayed value, depending on the size of the load.

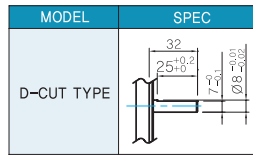
Dimensions

MOTOR ONLY

- MOTOR MODEL: 8RDD□-15(-T) (NO FAN)

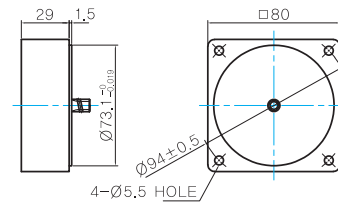


MOTOR OUTPUT SHAFT



INTER-DECIMAL GEARBOX

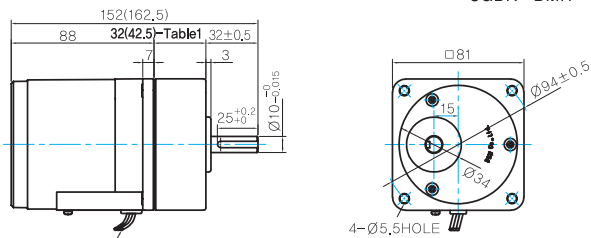
- MODEL: 8XD10□□



GEARED MOTOR

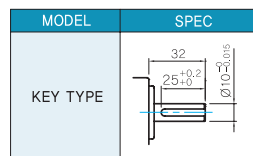
G TYPE GEARBOX

- MOTOR MODEL: 8RDG□-15G (NO FAN)
- GEARBOX MODEL: 8GBK□BMH

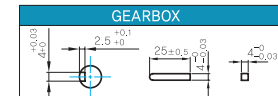


LEAD WIRE 300mm
UL STYLE NO.3271 AWG NO.22

GEARBOX OUTPUT SHAFT



KEY SPEC

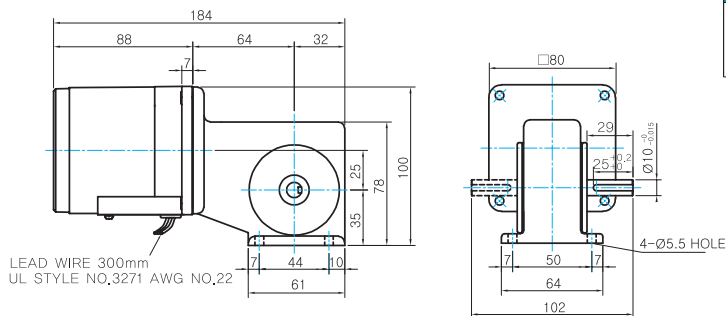


32(42.5)-Table1

SIZE(mm)	GEAR RATIO
32	8GBK3BMH - 8GBK18BMH
42.5	8GBK25BMH - 8GBK360BMH

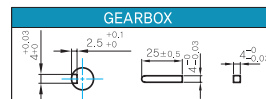
W TYPE GEARBOX

- MOTOR MODEL: 8RDG□-15W (NO FAN)
- GEARBOX MODEL: 8WD□BL/BR/BRL



LEAD WIRE 300mm
UL STYLE NO.3271 AWG NO.22

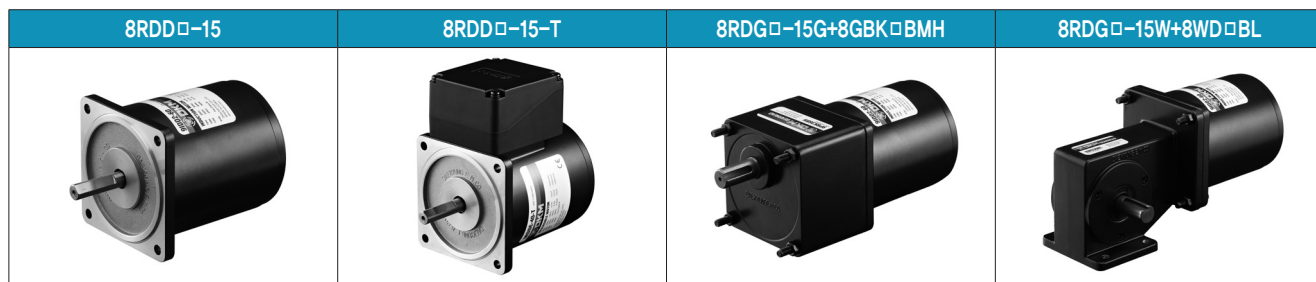
KEY SPEC



WEIGHT

PART	WEIGHT(Kg)	
MOTOR	1.6	
GEAR BOX	8GBK3BMH ~ 8GBK18BMH	0.48
	8GBK25BMH ~ 8GBK30BMH	0.61
	8GBK36BMH ~ 8GBK180BMH	0.67
	8GBK200BMH ~ 8GBK360BMH	0.63
	8WD□BL/BR/BRL	0.67
8XD10□□	0.44	

Motor Images



B AC Motors

Reversible Motor 15W(□80mm)

Connection Diagrams

Lead Wire Type	Terminal Box Type						
	<table border="1"> <thead> <tr> <th style="background-color: #0070C0; color: white;">Code</th> <th style="background-color: #0070C0; color: white;">Contact Capacity</th> </tr> </thead> <tbody> <tr> <td style="text-align: center;">SW</td> <td>AC125V 5A min. or AC250V 5A min. (Inductive load)</td> </tr> <tr> <td style="text-align: center;">Ro, Co</td> <td>Ro=5~200Ω Co=0.1~0.2μF, 200W (400W)</td> </tr> </tbody> </table> <p>* Connect a CR circuit for surge suppression to protect the contact.</p>	Code	Contact Capacity	SW	AC125V 5A min. or AC250V 5A min. (Inductive load)	Ro, Co	Ro=5~200Ω Co=0.1~0.2μF, 200W (400W)
Code	Contact Capacity						
SW	AC125V 5A min. or AC250V 5A min. (Inductive load)						
Ro, Co	Ro=5~200Ω Co=0.1~0.2μF, 200W (400W)						

- 1) The direction of motor rotation is as viewed from the shaft end of the motor.
- 2) CW represents the clockwise direction, while CCW represents the counterclockwise direction.
- 3) During operation it is available to change the rotating direction by turning the switch to CW or CCW.