

# B AC Motors

2 Pole Motor 60W(□ 90mm)

## 60W 2 Pole Motor 60W(□ 90mm)

### Motor Specification

Model		Output W	Voltage V	Frequency Hz	Poles	Duty	Starting Torque		Rated Load			Capacitor μF / VAC					
9IDD*-60F-A(T): D-Cut Type Shaft 9IDK*-60F-A(T): Key Type Shaft	Lead Wire Type						Terminal Box Type	kgfcm	N.m	Speed r/min	Current A		Torque kgfcm N.m				
9IDD1(A)-60F-A	9IDD1(A)-60F-AT	60	1 φ 110	60	2	Cont.	2.00	0.200	3200	1.40	1.83	0.183	16.0 / 250				
9IDD2(D)-60F-A	9IDD2(D)-60F-AT	60	1 φ 220	60	2	Cont.	2.68	0.268	3200	0.86	1.83	0.183	5.0 / 450				
9IDDE-60F-A	9IDDE-60F-AT	60	1 φ 220 1 φ 240	50	2	Cont.	2.49	0.249	2700	0.61	2.16	0.216	5.0 / 450				
							3.06	0.306									
9IDD3(G)-60F-A	9IDD3(G)-60F-AT	60	3 φ 220 3 φ 230	50	2	Cont.	6.88	0.688	2700	0.35	2.16	0.216	-				
				60			5.50	0.550						3200	0.33	1.83	0.183
				50			7.46	0.746						2700	0.36	2.16	0.216
9IDD4(K)-60F-A	9IDD4(K)-60F-AT	60	3 φ 380 3 φ 400	50	2	Cont.	5.96	0.596	3200	0.35	1.83	0.183	-				
				60			7.35	0.735						2700	0.22	2.16	0.216
				50			5.76	0.576						3200	0.21	1.83	0.183
9IDD5(L)-60F-A	9IDD5(L)-60F-AT	60	3 φ 415 3 φ 440	50	2	Cont.	8.10	0.810	2700	0.23	2.16	0.216	-				
				60			6.39	0.639						3200	0.22	1.83	0.183
				50			7.80	0.780						2700	0.21	2.16	0.216
		60	3 φ 415 3 φ 440	60	2	Cont.	6.20	0.620	3200	0.20	1.83	0.183	-				
				50			8.66	0.866						2700	0.23	2.16	0.216
				60			6.86	0.686						3200	0.21	1.83	0.183

1) Enter the phase & voltage code in the place \* within the motor model name.

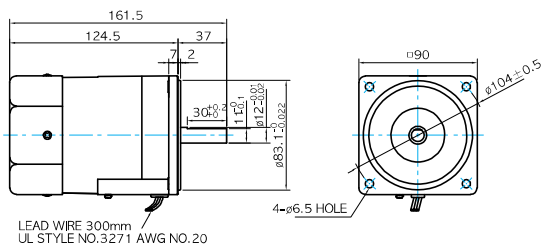
2) The phase & voltage code A, D, E, G, K, L contain a built-in thermal protector.

\* It is not possible to use an inverter for three phase 380~440V motor. When the inverter is used, the insulation of winding coil becomes hot and may cause damage to the motor.

### Dimensions

#### LEAD WIRE TYPE

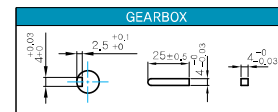
● MOTOR MODEL: 9IDD□-60F-A (GENERAL FAN)



#### MOTOR OUTPUT SHAFT

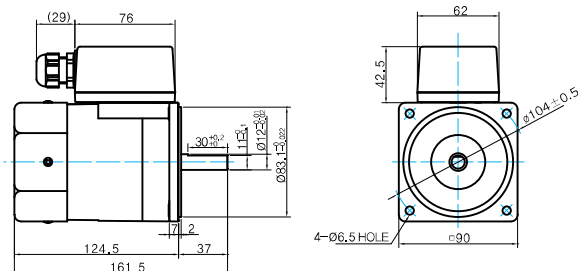
MODEL	SPEC
D-CUT TYPE	
KEY TYPE	

#### KEY SPEC



#### TERMINAL BOX TYPE

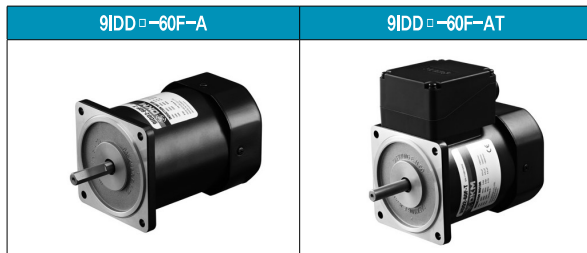
● MOTOR MODEL: 9IDD□-60F-AT (GENERAL FAN)



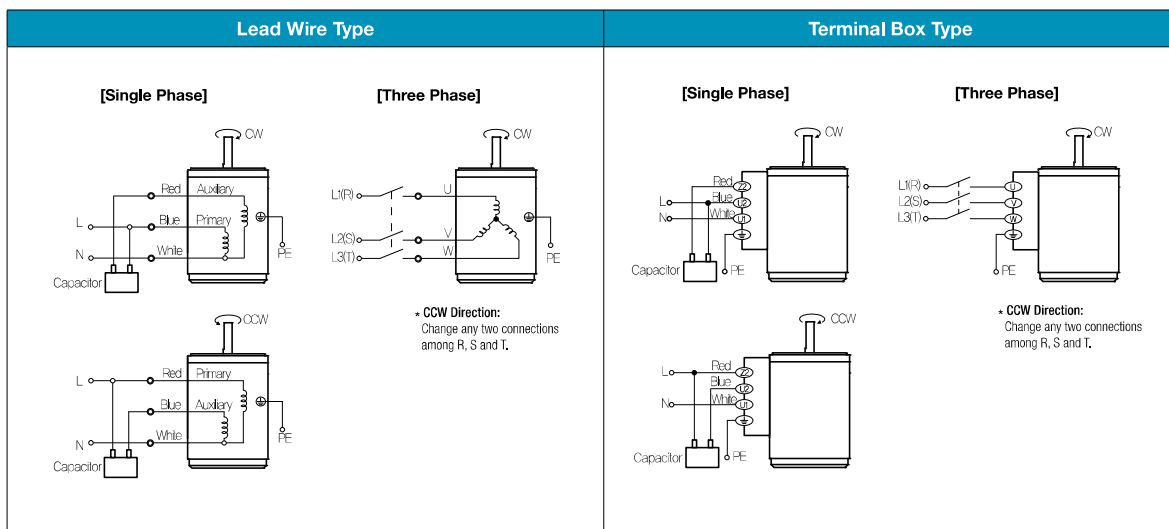
#### WEIGHT

PART	WEIGHT(Kg)
MOTOR	2.65

## Motor Images



## Connection Diagrams



1) The direction of motor rotation is as viewed from the shaft end of the motor.

2) CW represents the clockwise direction, while CCW represents the counterclockwise direction.

3) Change the direction of single phase motor rotation only after bringing the motor to a stop. If an attempt is made to change the direction of rotation while the motor is rotating, the motor may ignore the reversing command or change its direction after some delay.