

B AC Motors

Induction Motor 40W(□ 80mm)

40W Induction Motor 40W(□ 80mm)

Motor Specification

Model		Output W	Voltage V	Frequency Hz	Poles	Duty	Starting Torque		Rated Load			Capacitor μF / VAC	
Lead Wire Type	Terminal Box Type						kgfcm	N.m	Speed r/min	Current A	Torque kgfcm N.m		
8IDG1(A)-40F□	8IDG1(A)-40F□-T	40	1φ110	60	4	Cont.	2.15	0.215	1550	0.65	2.52	0.252	8.0 / 250
8IDG2(D)-40F□	8IDG2(D)-40F□-T	40	1φ220	60	4	Cont.	2.15	0.215	1500	0.33	2.60	0.260	2.0 / 450
8IDGE-40F□	8IDGE-40F□-T	40	1φ220	50	4	Cont.	2.15	0.215	1200	0.33	3.25	0.325	2.0 / 450
			1φ240				2.60	0.260	1250	0.33	3.12	0.312	

- 1) Enter the phase & voltage code in the place * and enter the model type of attaching gearbox in the box (□) within the motor model name.
 2) The phase & voltage code A, D, E contain a built-in thermal protector. 3) Gear Type Shaft is for attaching a gearbox and D-Cut Type Shaft is for using the motor only.

Max. Permissible Torque at Output Shaft of Gearbox

60Hz

Motor Model	Gearbox Model	Gear Ratio	3	3.6	5	6	7.5	9	10	12.5	15	18	20	25	30	36	40	50	60	75	90	100	120
8IDG*-40FG	8GBK□ BMH	r/min	600	500	360	300	240	200	180	144	120	100	90	72	60	50	45	36	30	24	20	18	15
		kgfcm	6.1	7.3	10.2	12.2	15.3	18.4	20.4	25.5	30.6	36.7	36.8	46.0	55.2	66.2	73.6	80.0	80.0	80.0	80.0	80.0	80.0
		N.m	0.60	0.72	1.00	1.20	1.50	1.80	2.00	2.50	3.00	3.60	3.61	4.51	5.41	6.49	7.21	7.84	7.84	7.84	7.84	7.84	7.84

Motor Model	Gearbox Model	Gear Ratio	150	180	200	250	300	360	Motor Model	Gearbox Model	Gear Ratio	10	12	15	18	25	30	36	50	60
8IDG*-40FG	8GBK□ BMH	r/min	12	10	9	7	6	5	8IDG*-40FW	8WD□BL/□BR/□BRL	r/min	180	150	120	100	72	60	50	36	30
		kgfcm	80.0	80.0	80.0	80.0	80.0	80.0			kgfcm	20.7	24.2	29.1	33.6	44.1	49.9	58.1	60.0	60.0
		N.m	7.84	7.84	7.84	7.84	7.84	7.84			N.m	2.03	2.37	2.85	3.29	4.32	4.89	5.69	5.88	5.88

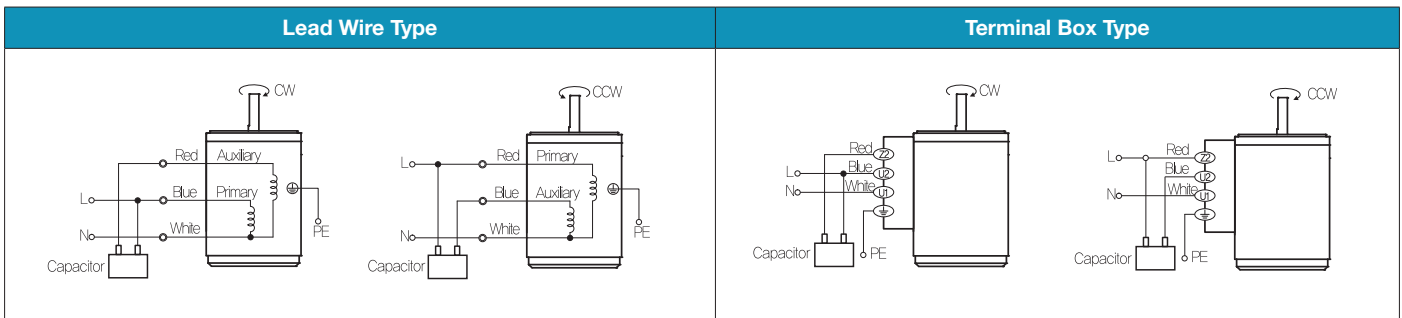
50Hz

Motor Model	Gearbox Model	Gear Ratio	3	3.6	5	6	7.5	9	10	12.5	15	18	20	25	30	36	40	50	60	75	90	100	120
8IDG*-40FG	8GBK□ BMH	r/min	500	417	300	250	200	167	150	120	100	83	75	60	50	42	37.5	30	25	20	17	15	12.5
		kgfcm	7.6	9.1	12.6	15.2	19.0	22.7	25.3	31.6	37.9	45.5	45.6	56.9	68.3	80.0	80.0	80.0	80.0	80.0	80.0	80.0	80.0
		N.m	0.74	0.89	1.24	1.49	1.86	2.23	2.48	3.10	3.71	4.46	4.46	5.58	6.70	7.84	7.84	7.84	7.84	7.84	7.84	7.84	7.84

Motor Model	Gearbox Model	Gear Ratio	150	180	200	250	300	360	Motor Model	Gearbox Model	Gear Ratio	10	12	15	18	25	30	36	50	60
8IDG*-40FG	8GBK□ BMH	r/min	10	8	7.5	6	5	4	8IDG*-40FW	8WD□BL/□BR/□BRL	r/min	150	125	100	83	60	50	42	30	25
		kgfcm	80.0	80.0	80.0	80.0	80.0	80.0			kgfcm	25.6	30.0	36.0	41.6	54.6	60.0	60.0	60.0	60.0
		N.m	7.84	7.84	7.84	7.84	7.84	7.84			N.m	2.51	2.94	3.53	4.07	5.35	5.88	5.88	5.88	5.88

- 1) Enter the phase & voltage code in the place * within the motor model name. 2) Enter the gear ratio in the box (□) within the gearbox model name.
 3) A colored background indicates gear shaft rotation in the same direction as the motor shaft; a white background indicates rotation in the opposite direction.
 4) The rotating speed is calculated by dividing the motor's synchronous speed (50Hz: 1,500r/min, 60Hz: 1,800r/min) by the gear ratio. The actual speed is 2~20% less than the displayed value, depending on the size of the load.

Connection Diagrams

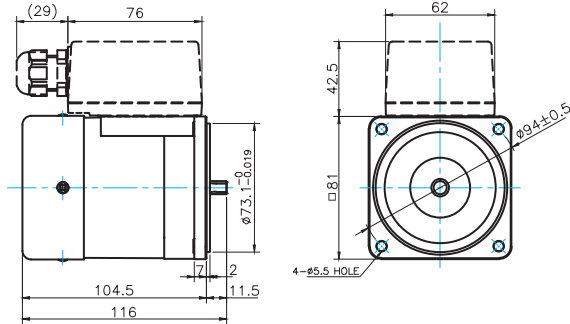


- 1) The direction of the motor rotation is as viewed from the shaft end of the motor. 2) CW represents the clockwise direction, while CCW represents the counterclockwise direction.
 3) Change the direction of single phase motor rotation only after bringing the motor to a stop. If an attempt is made to change the direction of rotation while the motor is rotating, the motor may ignore the reversing command or change its direction after some delay.

Dimensions

MOTOR ONLY

- MOTOR MODEL: 8ID□-40F□(-T)

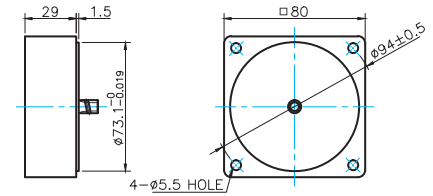


MOTOR OUTPUT SHAFT

MODEL	SPEC
D-CUT TYPE	
8IDD□-25	

INTER-DECIMAL GEARBOX

- MODEL: 8XD10□



GEARED MOTOR

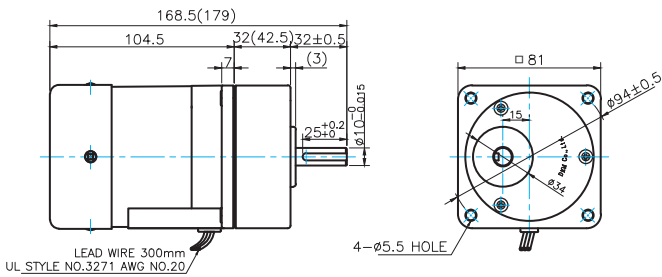
G TYPE GEARBOX

- MOTOR MODEL: 8IDG□-40FG

- GEARBOX MODEL: 8GBK□BMH

GEARBOX OUTPUT SHAFT

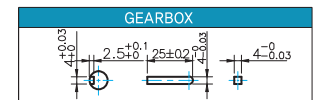
- 32(42.5)-Table1



MODEL	SPEC
KEY TYPE	

SIZE(mm)	GEAR RATIO
32	8GBK3BMH ~ 8GBK18BMH
42.5	8GBK20BMH ~ 8GBK360BMH

- Key Spec

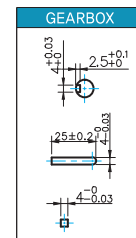
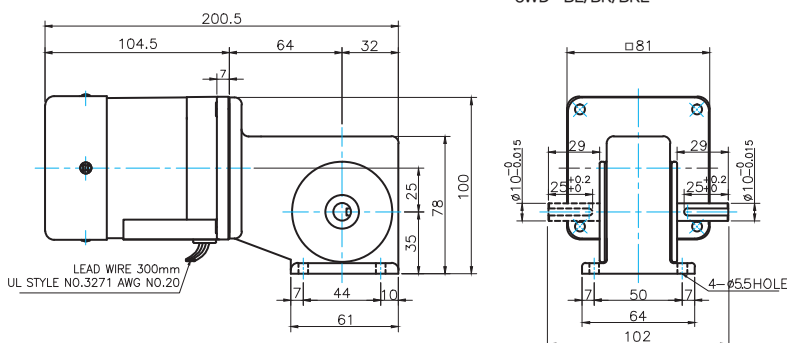


W TYPE GEARBOX

- MOTOR MODEL: 8IDG□-40FW

- GEARBOX MODEL: 8WD□BL/BR/BRL

- Key Spec



WEIGHT

PART	WEIGHT(Kg)	
MOTOR	1.66	
GEAR BOX	8GBK3BMH ~ 8GBK18BMH	0.56
	8GBK20BMH ~ 8GBK40BMH	0.65
	8GBK50BMH ~ 8GBK360BMH	0.72
	8WD□BL/BR/BRL	0.68
	8XD10□	0.45