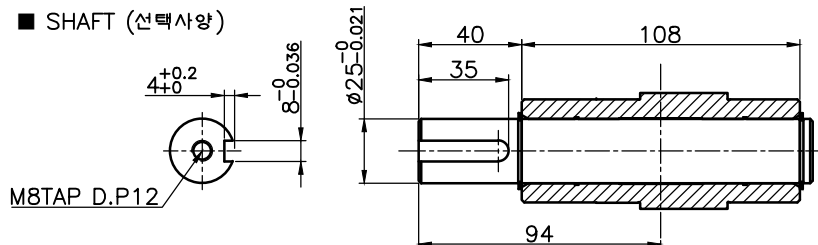
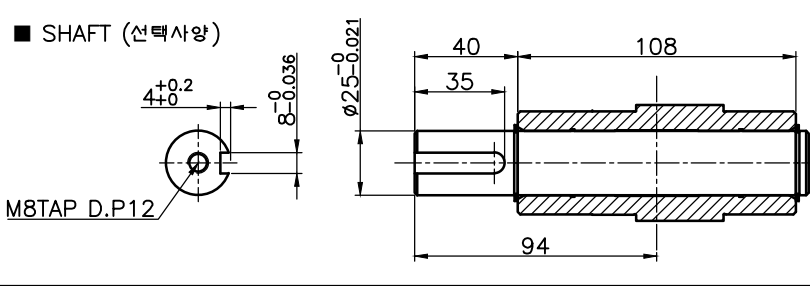
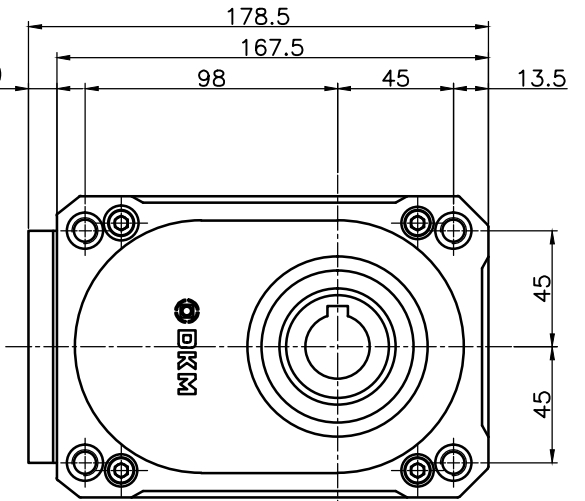
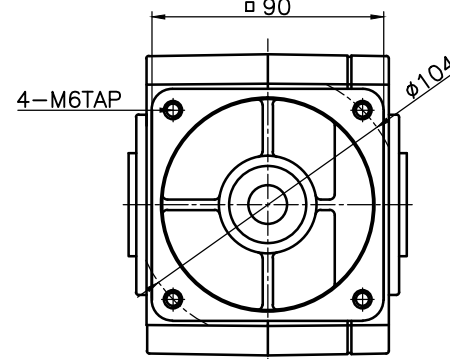
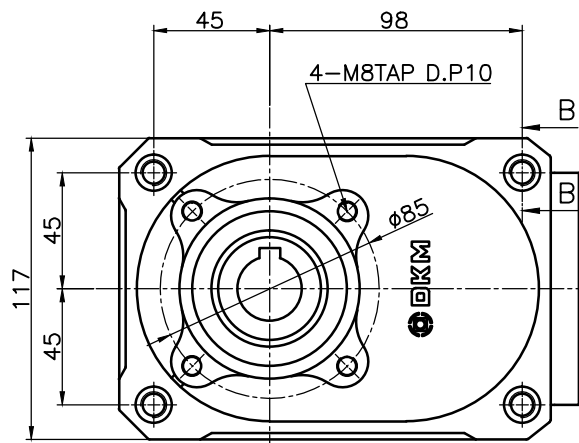
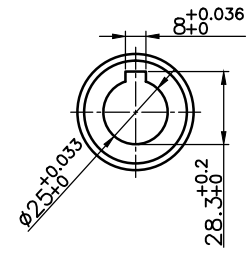
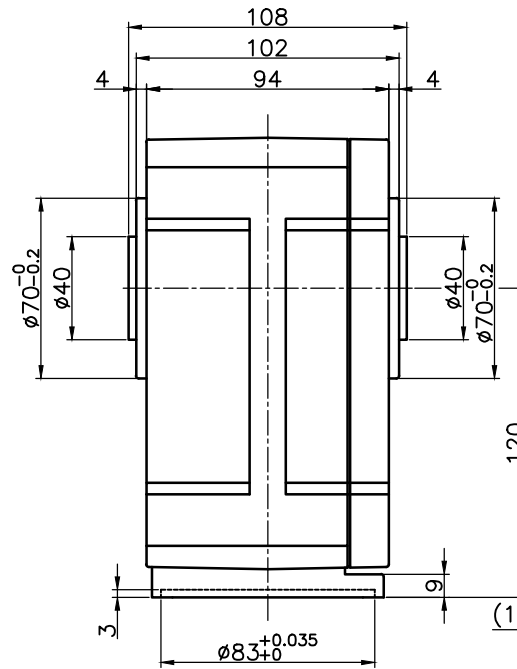
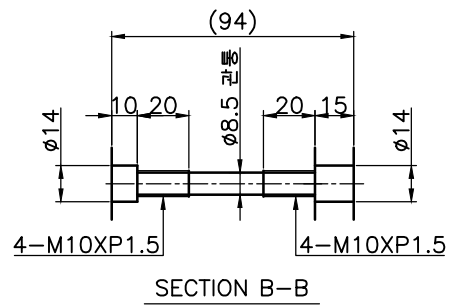


■ SHAFT (선택사양)



1	OUTLINE			LOT	
NO.	NOMENCLATURE		MATERIAL	Q'TY	REMARKS
SCALE	UNIT : mm	APPROV	DESIGN	DRAWN	9HC□B
N / S					1/15~1/60비율
DATE				SHE.NO.	
				DWG.NO.	



1	OUTLINE			LOT	
NO.	NOMENCLATURE		MATERIAL	Q'TY	REMARKS
SCALE	UNIT : mm	APPROV	DESIGN	DRAWN	9HC□B
N / S					1/80~1/240비율
DATE				SHE.NO.	
				DWG.NO.	